

Produktdaten

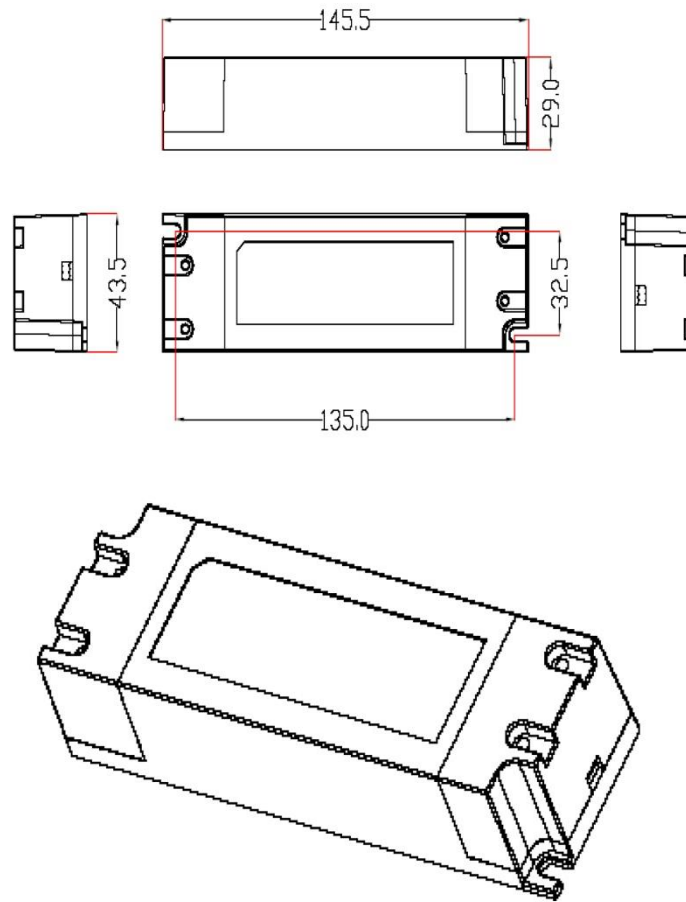
Parameter:	Werte:	Notiz:
Produkt Bezeichnung:	LED Vorschaltgerät für Pannelleuchten 0/1-10V dim.	
Art.-Nr.: / Model-No.:	300511 / XZ-CI35B-420075	
<u>Input Voltage & Frequency</u>		
Minimum:	90Vac / 47Hz	
Nominal:	100-277Vac / 50Hz-60Hz	
Maximum:	305Vac / 63Hz	
Input AC Current :	0,6A max. @ input 100Vac & max. load	
Inrush Current:	50A max. @ input 277Vac	
Power Factor:	0.9 min. @ input 220-240Vac & max. load	
Efficiency:	85% min. @ input 220-240Vac & max. load	
<u>Static Output Characteristics</u>		
Output current:	750mA \pm 5%	
min. LED Load:	19,2W	
max. LED Load:	33,1W	
Output voltage Range:	27-42Vdc / 50Vdc max.	
Ripple & Noise:	\leq 4Vp-p *	
Turn – on Delay Time:	0,5s max. @ input 100-277Vac & max. load	
<u>Protection Requirements</u>		
Short Circuit Protection:	The input power shall decrease when the output rail short, the power supply shall no damage, and shall be self-recovery when fault condition is removed.	
LED disconnection Protection:	When the LED disconnection the product is protected such as hiccup or when it is at the highest point of output voltage the product would not be hurted when the fault is excluded or is start working again the power supply is working normally.	
<u>Environment Requirements</u>		
Operating Temperature and Relative Humidity:	ta: -20°C to +45°C tc: 85°C / 20%RH to 90%RH	
Storage Temperature and Relative Humidity:	-20°C to +70°C / 10%RH to 90%RH non-condensing	
Certification of RoHS:	yes	
<u>Reliability Requirements</u>		
MTBF:	30.000h @ 25°C under Full load and nominal input condition	
Warranty:	3 years	
<u>Safety Standards</u>		
Dielectric Strength (Hi-pot):	Primary to Secondary 3750Vac 5mA max. / 60sec.	
Insulation Resistance:	50M Ω min. @ primary to secondary add 500Vdc test voltage	
EMI Standard:	EN 55015:1998, +A1:2000 +A2:2003, CLASS B	



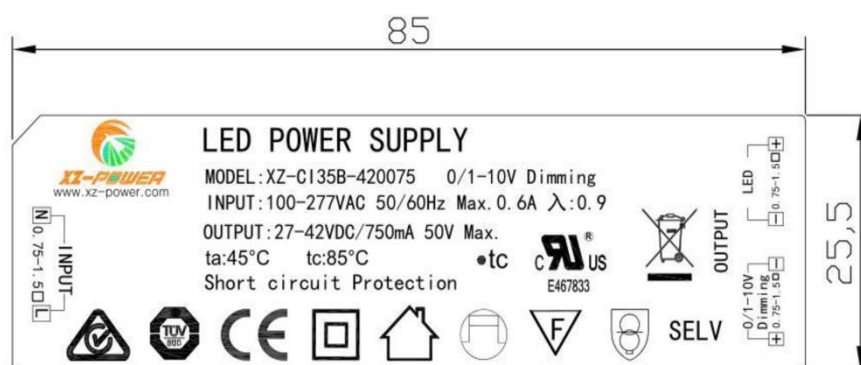
Outline Drawing

Outline size:

145,5 x 43,5 x 29,0mm (L x B x H)

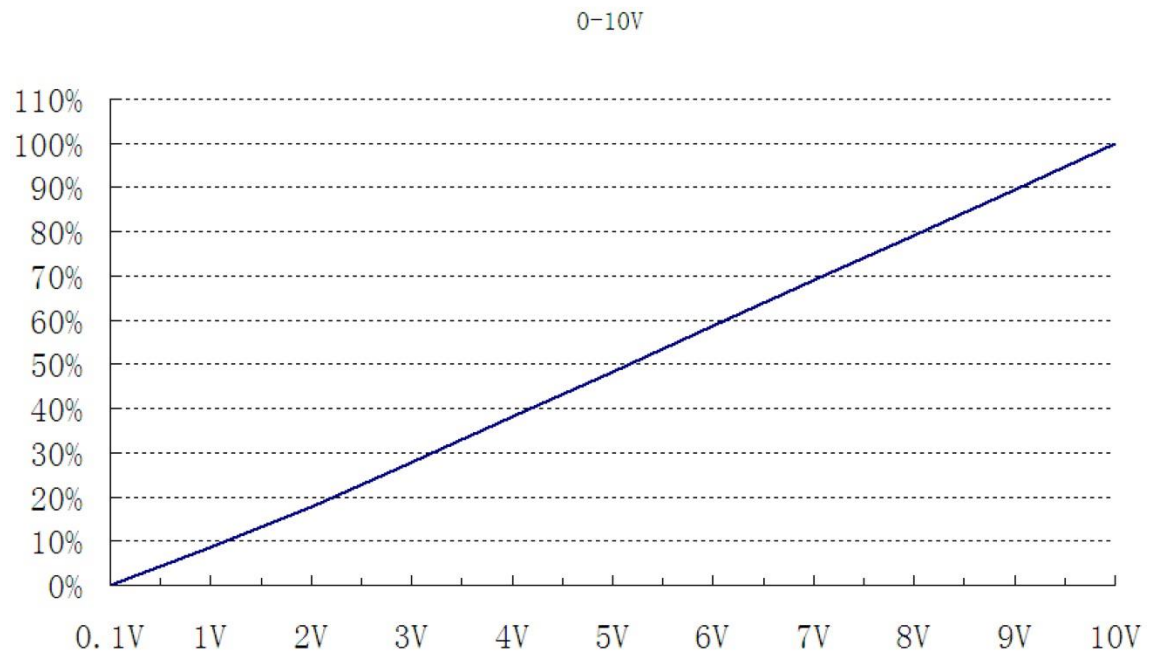


Outline Label:



Dimming Diagram

0/1 to 10V Dimming curve



* Ripple & Noise Measurement is done by 20MHz bandwidth oscilloscope and the output paralleled a 0,1 μ F ceramic capacitor and a 10 μ F electrolysis capacitor. Test under the condition of rated input and rated output.

